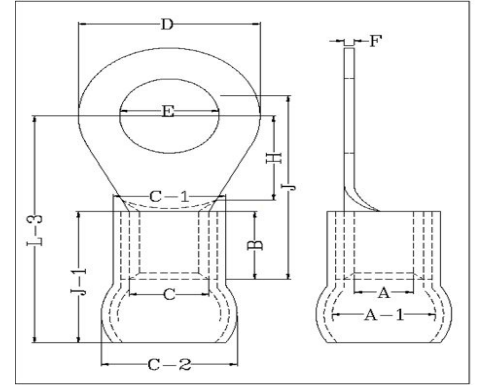


## COPPER RING TYPE INSULATED WITH METAL REINFORCEMENT TERMINAL

Material Copper IS : 1897 :: Finished Electro Tinned

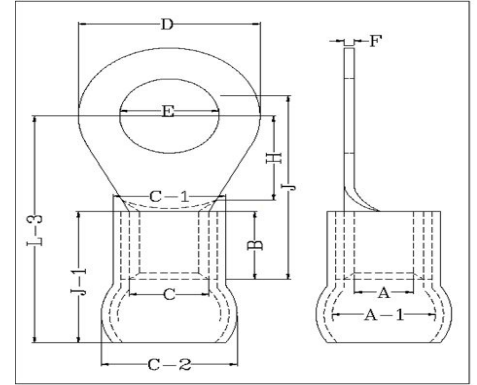


All dimensions in mm

Size mm <sup>2</sup>	E	A	C	D	F	B	H	J	J-1	A-1	C-1	C-2	L-3	CORDLUG CAT NO.
1.5	2.2	1.6	3.2	6.0	0.8	5.0	4.0	14.0	10.0	3.6	4.8	5.4	16.0	L7435
1.5	2.6	1.6	3.2	6.0	0.8	5.0	4.0	14.0	10.0	3.6	4.8	5.4	16.0	L7436
1.5	3.2	1.6	3.2	6.0	0.8	5.0	4.0	14.0	10.0	3.6	4.8	5.4	16.0	L7437
1.5	3.2	1.6	3.2	6.8	0.8	4.0	3.0	11.4	10.0	3.6	4.8	5.4	14.6	L7440
1.5	3.2	1.6	3.2	8.0	0.8	5.0	5.0	16.0	10.0	3.6	4.8	5.4	17.0	L7443
1.5	3.7	1.6	3.2	6.0	0.8	5.0	4.0	14.0	10.0	3.6	4.8	5.4	16.0	L7438
1.5	3.7	1.6	3.2	6.8	0.8	4.0	3.0	11.4	10.0	3.6	4.8	5.4	14.6	L7441
1.5	4.2	1.6	3.2	6.0	0.8	5.0	4.0	14.0	10.0	3.6	4.8	5.4	16.0	L7439
1.5	4.2	1.6	3.2	6.8	0.8	4.0	3.0	11.4	10.0	3.6	4.8	5.4	14.6	L7442
1.5	4.2	1.6	3.2	8.0	0.8	5.0	5.0	16.0	10.0	3.6	4.8	5.4	17.0	L7444
1.5	4.2	1.6	3.2	10.0	0.8	5.0	6.0	18.0	10.0	3.6	4.8	5.4	18.0	L7447
1.5	4.2	1.6	3.2	7.0	0.8	5.0	5.0	14.5	10.0	3.6	4.8	5.4	16.0	L7446
1.5	5.2	1.6	3.2	8.0	0.8	5.0	5.0	16.0	10.0	3.6	4.8	5.4	17.0	L7445
1.5	5.2	1.6	3.2	10.0	0.8	5.0	6.0	18.0	10.0	3.6	4.8	5.4	18.0	L7448
1.5	6.4	1.6	3.2	10.0	0.8	5.0	6.0	18.0	10.0	3.6	4.8	5.4	18.0	L7449
1.5	6.4	1.6	3.2	12.0	0.8	5.0	6.0	18.0	10.0	3.6	4.8	5.4	17.0	L7450
2.5	3.2	2.3	3.9	6.5	0.8	5.0	3.5	12.7	10.0	4.4	5.4	6.0	17.7	L7451
2.5	3.7	2.3	3.9	6.5	0.8	5.0	3.5	12.7	10.0	4.4	5.4	6.0	17.7	L7452
2.5	3.7	2.3	3.9	8.0	0.8	5.0	5.0	16.0	10.0	4.4	5.4	6.0	17.0	L7453
2.5	4.2	2.3	3.9	8.0	0.8	5.0	5.0	16.0	10.0	4.4	5.4	6.0	17.0	L7454
2.5	5.2	2.3	3.9	8.0	0.8	5.0	5.0	16.0	10.0	4.4	5.4	6.0	17.0	L7455
2.5	5.2	2.3	3.9	10.0	0.8	5.0	7.0	18.0	10.0	4.4	5.4	6.0	18.0	L7456
2.5	6.4	2.3	3.9	10.0	0.8	5.0	7.0	18.0	10.0	4.4	5.4	6.0	18.0	L7457
2.5	6.4	2.3	3.9	12.0	0.8	5.0	9.0	22.0	10.0	4.4	5.4	6.0	21.0	L7459
2.5	5.2	2.3	3.9	12.0	0.8	5.0	9.0	22.0	10.0	4.4	5.4	6.0	21.0	L7458

## COPPER RING TYPE INSULATED WITH METAL REINFORCEMENT TERMINAL

Material Copper IS : 1897 :: Finished Electro Tinned

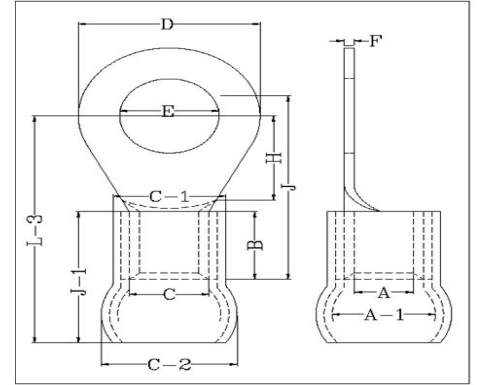


All dimensions in mm

Size mm <sup>2</sup>	E	A	C	D	F	B	H	J	J-1	A-1	C-1	C-2	L-3	CORDLUG CAT NO.
2.5	6.4	2.3	3.9	16.0	0.8	5.0	10.0	25.0	10.0	4.4	5.4	6.0	22.0	L7461
2.5	8.2	2.3	3.9	12.0	0.8	5.0	9.0	22.0	10.0	4.4	5.4	6.0	21.0	L7460
2.5	8.2	2.3	3.9	16.0	0.8	5.0	10.0	25.0	10.0	4.4	5.4	6.0	22.0	L7462
2.5	10.2	2.3	3.9	16.0	0.8	5.0	10.0	25.0	10.0	4.4	5.4	6.0	22.0	L7463
2.5	10.2	2.3	3.9	18.0	0.8	5.0	10.0	29.0	10.0	4.4	5.4	6.0	25.0	L7464
2.5	12.7	2.3	3.9	18.0	0.8	5.0	14.0	29.0	10.0	4.4	5.4	6.0	25.0	L7465
4.6	4.2	3.5	5.5	8.0	1.0	6.0	5.0	17.0	15.0	6.4	7.1	8.6	22.0	L7466
4.6	4.2	3.5	5.5	10.0	1.0	6.0	5.0	19.0	15.0	6.4	7.1	8.6	23.0	L7468
4.6	5.2	3.5	5.5	8.0	1.0	6.0	5.0	17.0	15.0	6.4	7.1	8.6	22.0	L7467
4.6	5.2	3.5	5.5	10.0	1.0	6.0	5.0	19.0	15.0	6.4	7.1	8.6	23.0	L7469
4.6	5.2	3.5	5.5	8.0	1.0	6.0	9.8	22.0	15.0	6.4	7.1	8.6	31.8	L7470
4.6	5.2	3.5	5.5	12.0	1.0	6.0	6.0	20.0	15.0	6.4	7.1	8.6	23.0	L7471
4.6	5.2	3.5	5.5	12.0	1.0	6.0	7.0	22.0	15.0	6.4	7.1	8.6	25.0	L7474
4.6	6.4	3.5	5.5	12.0	1.0	6.0	6.0	20.0	15.0	6.4	7.1	8.6	23.0	L7472
4.6	6.4	3.5	5.5	12.0	1.0	6.0	7.0	22.0	15.0	6.4	7.1	8.6	25.0	L7475
4.6	6.4	3.5	5.5	14.0	1.0	6.0	10.5	25.5	15.0	6.4	7.1	8.6	27.5	L7476
4.6	12.7	3.5	5.5	18.0	1.0	6.0	12.0	30.0	15.0	6.4	7.1	8.6	30.0	L7483
4.6	8.2	3.5	5.5	12.0	1.0	6.0	6.0	20.0	15.0	6.4	7.1	8.6	23.0	L7473
4.6	8.2	3.5	5.5	14.0	1.0	6.0	10.5	25.5	15.0	6.4	7.1	8.6	27.5	L7477
4.6	8.2	3.5	5.5	16.0	1.0	6.0	13.0	30.0	15.0	6.4	7.1	8.6	31.0	L7479
4.6	8.2	3.5	5.5	18.0	1.0	6.0	12.0	30.0	15.0	6.4	7.1	8.6	30.0	L7481
4.6	9.7	3.5	5.5	14.0	1.0	6.0	10.5	25.5	15.0	6.4	7.1	8.6	27.5	L7478
4.6	10.2	3.5	5.5	16.0	1.0	6.0	13.0	30.0	15.0	6.4	7.1	8.6	31.0	L7480
4.6	10.2	3.5	5.5	18.0	1.0	6.0	12.0	30.0	15.0	6.4	7.1	8.6	30.0	L7482
10.0	4.2	4.3	6.3	10.0	1.0	8.0	7.0	22.0	17.0	6.8	8.3	9.5	26.0	L7484

## COPPER RING TYPE INSULATED WITH METAL REINFORCEMENT TERMINAL

Material Copper IS : 1897 :: Finished Electro Tinned



All dimensions in mm

Size mm <sup>2</sup>	E	A	C	D	F	B	H	J	J-1	A-1	C-1	C-2	L-3	CORDLUG CAT NO.
10.0	4.2	4.3	6.3	10.0	1.0	8.0	4.0	20.0	17.0	6.8	8.3	9.5	24.0	L7486
10.0	5.2	4.3	6.3	10.0	1.0	8.0	7.0	22.0	17.0	6.8	8.3	9.5	26.0	L7485
10.0	5.2	4.3	6.3	10.0	1.0	8.0	4.0	20.0	17.0	6.8	8.3	9.5	24.0	L7487
10.0	6.4	4.3	6.3	12.0	1.0	8.0	7.0	23.0	17.0	6.8	8.3	9.5	26.0	L7488
10.0	8.2	4.3	6.3	16.0	1.0	8.0	7.0	27.0	17.0	6.8	8.3	9.5	28.0	L7489
10.0	8.2	4.3	6.3	18.0	1.0	8.0	9.0	30.0	17.0	6.8	8.3	9.5	30.0	L7490
10.0	10.2	4.3	6.3	18.0	1.0	8.0	9.0	30.0	17.0	6.8	8.3	9.5	30.0	L7491
10.0	10.2	4.3	6.3	22.0	1.0	8.0	10.0	34.0	17.0	6.8	8.3	9.5	32.0	L7492
10.0	12.7	4.3	6.3	22.0	1.0	8.0	10.0	34.0	17.0	6.8	8.3	9.5	32.0	L7493
16.0	5.2	5.6	8.0	10.0	1.2	10.0	6.0	24.0	23.0	10.9	9.9	12.9	32.0	L7494
16.0	5.2	5.6	8.0	12.0	1.2	10.0	6.0	26.0	23.0	10.9	9.9	12.9	33.0	L7495
16.0	6.4	5.6	8.0	12.0	1.2	10.0	6.0	26.0	23.0	10.9	9.9	12.9	33.0	L7496
16.0	6.4	5.6	8.0	16.0	1.2	10.0	8.0	30.0	23.0	10.9	9.9	12.9	35.0	L7497
16.0	8.2	5.6	8.0	16.0	1.2	10.0	8.0	30.0	23.0	10.9	9.9	12.9	35.0	L7498
16.0	8.2	5.6	8.0	18.0	1.2	10.0	10.0	33.0	23.0	10.9	9.9	12.9	37.0	L7500
16.0	9.7	5.6	8.0	16.0	1.2	10.0	8.0	30.0	23.0	10.9	9.9	12.9	35.0	L7499
16.0	10.2	5.6	8.0	18.0	1.2	10.0	10.0	33.0	23.0	10.9	9.9	12.9	37.0	L7501
16.0	10.2	5.6	8.0	22.0	1.2	10.0	8.0	35.0	23.0	10.9	9.9	12.9	37.0	L7502
16.0	12.7	5.6	8.0	22.0	1.2	10.0	8.0	35.0	23.0	10.9	9.9	12.9	37.0	L7503