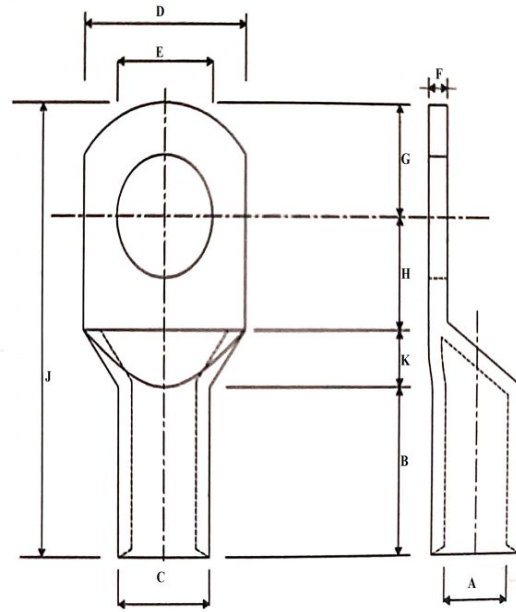


COPPER TUBULAR TERMINAL ENDS

HEAVY DUTY LONG BARREL

Material Copper IS : 1897 :: Finished Electro Tinned



All dimensions in mm

| Size mm ² | E | A | C | D | F | B | K | H | G | J | CORDLUG CAT NO. |
|-------------------------|------|------|------|----|-----|----|----|----|----|-----|--------------------|
| 25 | 8.2 | 7 | 9 | 13 | 2.0 | 16 | 5 | 12 | 8 | 41 | LUS-282 |
| 35 | 8.2 | 8 | 10.6 | 15 | 2.6 | 20 | 5 | 14 | 9 | 48 | LUS-283 |
| 50 | 8.2 | 9.2 | 12.2 | 17 | 3.0 | 26 | 7 | 16 | 10 | 59 | LUS-284 |
| 70 | 10.2 | 11.5 | 15 | 20 | 3.5 | 28 | 7 | 19 | 12 | 66 | LUS-285 |
| 95 | 12.7 | 12.8 | 17 | 24 | 4.2 | 32 | 10 | 20 | 12 | 74 | LUS-286 |
| 120 | 12.7 | 14.8 | 19.6 | 28 | 4.8 | 35 | 10 | 23 | 14 | 82 | LUS-287 |
| 150 | 12.7 | 16 | 21.2 | 30 | 5.2 | 38 | 10 | 24 | 14 | 86 | LUS-288 |
| 185 | 12.7 | 18 | 24 | 34 | 6.0 | 43 | 12 | 23 | 17 | 95 | LUS-289 |
| 240 | 16.2 | 22 | 28 | 40 | 6.0 | 50 | 12 | 30 | 20 | 112 | LUS-290 |
| 300 | 16.2 | 23.5 | 30 | 43 | 6.5 | 54 | 14 | 28 | 24 | 120 | LUS-291 |
| 400 | 20.3 | 28 | 36 | 50 | 8 | 62 | 18 | 36 | 24 | 140 | LUS-292 |